

Model No.: D27TG35-06 OEM
 Product Line: Tymphany

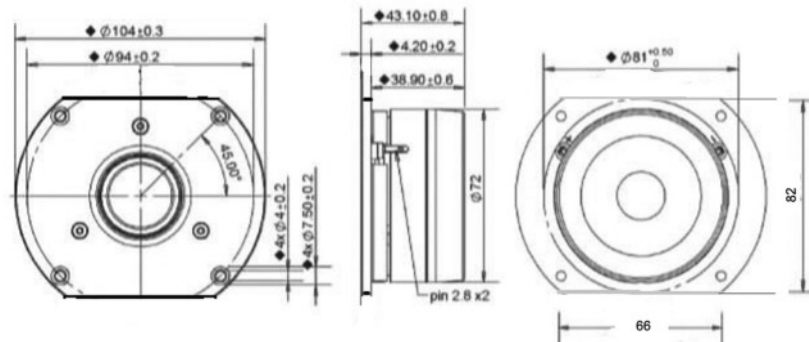
Rev: 1
 Date: 10/1999

Product Description

This D family tweeter features an 6 ohm 25 mm voice coil, a treated silk dome, large rear chamber for low resonant frequency, and a ferrofluid-cooled ferrite magnet motor. The large motor and rear chamber allow for robust power handling capacity. The tweeter comes with a faceplate with recessed mounting holes, for easy installation into the desired application.



Mechanical Drawing



Specifications

DC Resistance	Revc	Ohms	4.89	5.0%	Energy Bandwidth Product	EBP	(1/Qes)*fs	
Minimum Impedance	Zmin	Ohms	5.49	7.5%	Moving Mass	Mms	g	0.2
Voice Coil Inductance	Le	mH	0.04		Suspension Compliance	Cms	um/N	138
Resonant Frequency	Fs	Hz	911.7	15%	Effective Cone diameter	D	cm	3
Mechanical Q Factor	Qms		1.21		Effective Piston Area	Sd	cm^2	7.1
Electrical Q Factor	Qes	1.01			Effective Volume	Vas	L	0.01
Total Q Factor	Qts	0.55			Motor Force Factor	BL	Tm	2.48
Ratio Fs/Qts	F	Fs/Qts	1657.64		Motor Efficiency Factor	β	(T*M^2)/Ohms	1.3
Half Space Sensitivity @2.83V	db@2.83V/1M	dB	92.77	+/- 1.0db	Voice coil former Material	VCfm		ASV
Half Space Sensitivity @1W/1M	db@1W/1M	dB	91.1	+/- 1.0db	Voice coil inner diameter	VCd	mm	25.79
Gap Height	Gh	mm	2.5		Rated Noise Power	P	W	100
Maximum Linear Excursion	Xmax	mm	0.5		Test Spectrum Bandwidth		2.5KHz - 20kHz	
Ferrofluid Type	FF		APGL11		Driver Size	Inch	25 mm	
Driver Mass	Kg	0.52						

Frequency and Impedance Response

