

Model No: D27TG1706
 Product Line: Viva

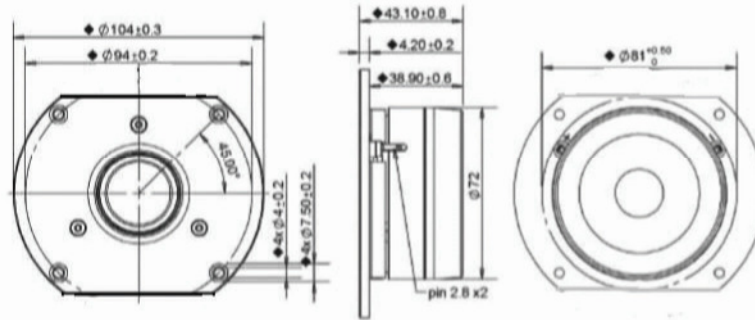
Rev: 1
 Date: 04/1992

Product Description

This D family tweeter features an 6 ohm 25 mm voice coil, a treated silk dome.
 The tweeter comes with a faceplate with recessed mounting holes, for easy installation into the desired application.



Mechanical Drawing



Specifications

DC Resistance	Revc	Ohms	4.65	5.0%	Energy Bandwidth Product	EBP	(1/Qes)*fs
Minimum Impedance	Zmin	Ohms	5.4	7.5%	Moving Mass	Mms	g
Voice Coil Inductance	Le	mH	0.04		Suspension Compliance	Cms	um/N
Resonant Frequency	Fs	Hz	1000	15%	Effective Cone diameter	D	cm
Mechanical Q Factor	Qms		2.40		Effective Piston Area	Sd	cm ²
Electrical Q Factor	Qes		1.22		Effective Volume	Vas	L
Total Q Factor	Qts		0.84		Motor Force Factor	BL	Tm
Ratio Fs/Qts	F	Fs/Qts	1200		Motor Efficiency Factor	β	(T*M ²)/Ohms
Half Space Sensitivity @2.83V	db@2.83V/1M	dB	91.2	+/- 1.0db	Voice coil former Material	VCfm	ASV
Half Space Sensitivity @1W/1M	db@1W/1M	dB	89.3	+/- 1.0db	Voice coil inner diameter	VCd	mm
Gap Height	Gh	mm	2.5		Rated Noise Power	P	W
Maximum Linear Excursion	Xmax	mm	0.5		Test Spectrum Bandwidth		2.5KHz - 20kHz
Ferrofluid Type	FF		APGL11		Driver Size	Inch	25 mm
Driver Mass	Kg		0.52				

Frequency and Impedance Response

