

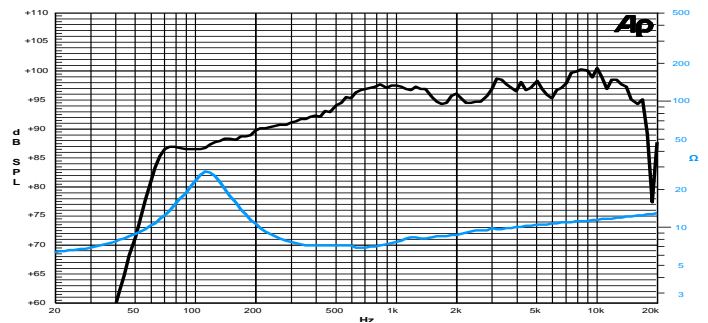
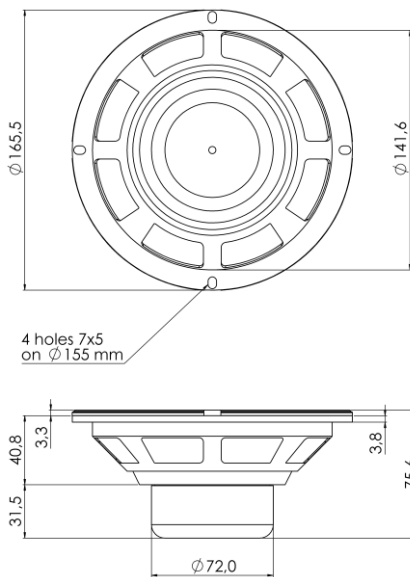
6 D 1,5 SL 8Ω

Dual Cone

6" | 260 W

Code Z004065

- 1,5" voice coil Aluminium former
- Dual Cone
- CDR Ferrite Magnet Circuit with Copper Demodulating Ring
- 93.9 dB sensitivity
- Frequency Range 110-15000 Hz



Frequency Response on 18 Lt @ 70 Hz Vented Box @ 1W, 1m
Free Air Impedance

General Specifications

Nominal Diameter	165 mm (6")
Nominal Impedance	8 Ω
Rated Power AES ⁽¹⁾	130 W
Continuous Program Power ⁽²⁾	260 W
Sensitivity @ 1W/1m ⁽³⁾	93.9 dB
Voice Coil Diameter	38 mm (1,5")
Voice Coil Winding Depth	9 mm
Magnetic Gap Depth	6 mm
Flux Density	1.20 T
Magnet Weight	126 g
Net Weight	0.9 kg

Thiele & Small Parameters⁽⁴⁾

Re	5.0 Ω	Fs	110.0 Hz
Qms	2.65	Qes	0.55
Qts	0.46	Mms	11.2 g
Cms	187 μm/N	Bxl	8.35 Tm
Vas	4.0 l	Sd	122.7 cm ²
X max ⁽⁵⁾	+/- 1.5 mm	X var ⁽⁶⁾	+/- 4.0 mm
ηo	0.92 %	Le (1kHz)	0.22 mH

Constructive Characteristics

Magnet	Neodymium
Basket Material	Pressed Sheet Steel
Voice Coil Winding Material	Copper
Voice Coil Former Material	Aluminium
Cone Material	Paper
Cone Treatment	No
Surround Material	Treated Cloth
Dust Dome Material	Treated Cloth

Mounting Information

Overall Diameter	165.5 mm
Baffle Cutout Diameter	143 mm
Mounting Holes	4 holes 5x7 on ø155 mm
Total Depth	75.6 mm

(1) Rated Power measured with 2-hour test with pink noise signal, 6dB crest factor, loudspeaker in free air, power calculated on rated Zmin. (2) Power on Continuous Program is defined as 3dB greater than the Rated Power. (3) Calculated by Thiele & Small parameters, for SPL average in box refer to frequency response. (4) Thiele & Small parameters measured with laser system after preconditioning test. (5) Measured with respect to a THD of 10%. (6) Value corresponding to a decay of the Force Factor, or Compliance, or both, equal to the 50% of the small signal value. (7) Drawing dimensions: mm.