

Mid-woofer

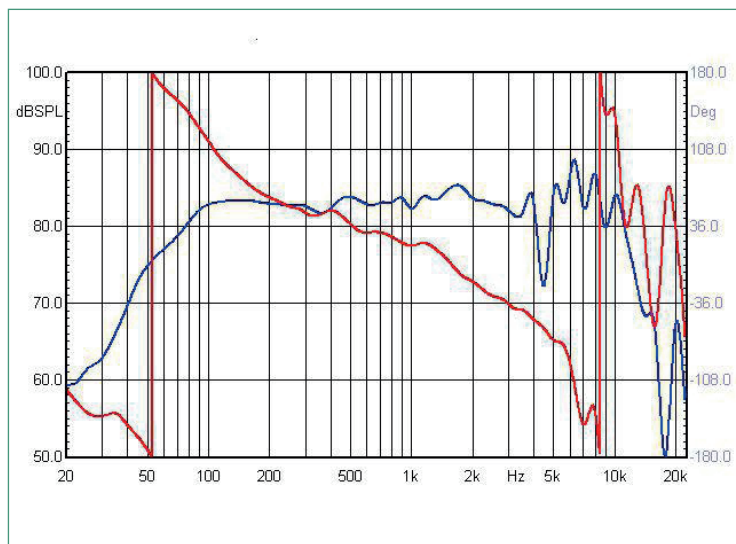
W148-8

Features

- 148 mm 8 Ω loudspeaker
- great audio fidelity and superior price
- stamped steel frame with profile lip
- designed for front mounting or countersinking
- coated paper cone
- smooth frequency response and linear roll-off
- simplify filter design



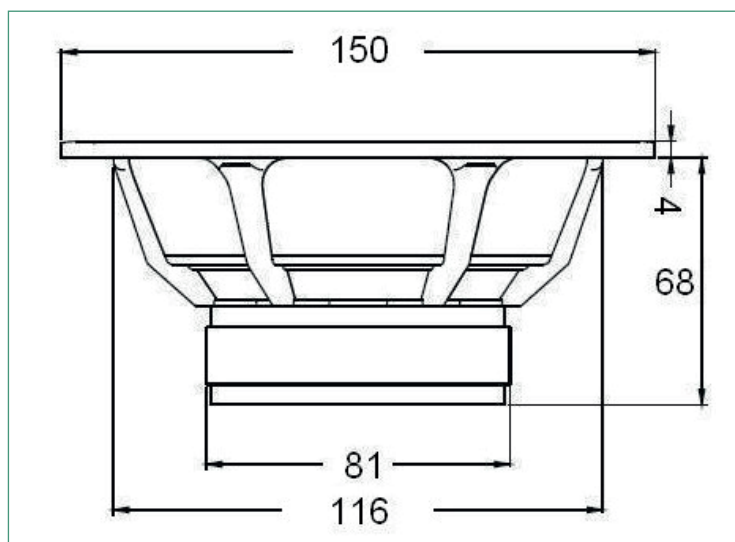
Frequency response (0° & 30°), Impedance curve



Technical specifications

Frequency range	Hz
Nominal impedance	8 Ω
Music (W)	150
Nominal (W)	60
Cone	Paper
Surround material	Rubber
Basket material	Steel
Magnet material	Ferrite
Outside diameter	–
Build in hole diameter	–
Build in depth	–
SPL (1W/1M)	88

Mechanical drawing



Thiele and Small parameters

	Value	Symbol
fs	53	Hz
VAS	12,6	L
QMS	2,13	–
QES	0,58	–
QTS	0,42	–
Re	–	Ω
LE	–	VC/mH
BL	–	(NA) (F/l)