

Mid-woofer

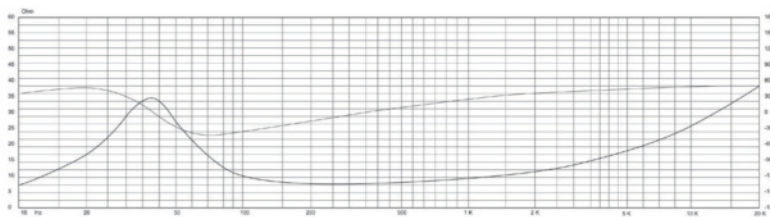
CR-160

Features

- great audio fidelity for affordable price
- frame with low profile lip
- coated paper cone
- rubber surround for durability and accurate reproduction
- smooth frequency response for simplify filter design
- vented pole piece for minimized compression
- good Xmax capability
- high potential in a reasonably sized cabinets



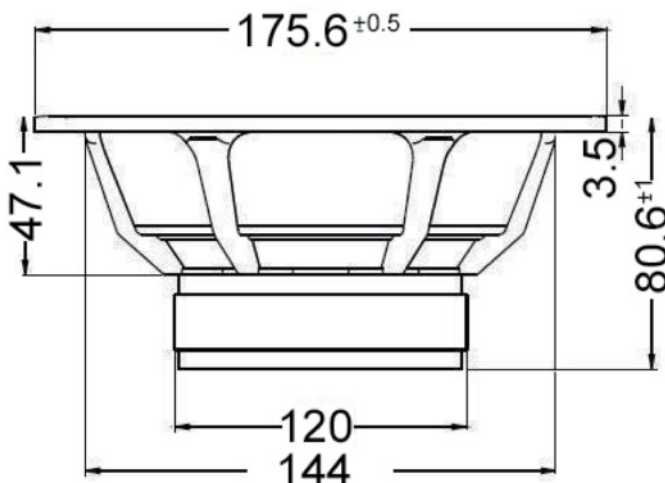
Frequency response (0° & 30°), Impedance curve



Technical specifications

Frequency range	fo ~ 5.000 Hz
Nominal impedance	8 Ω
Cone	Paper
Surround material	Rubber
Basket W Copper ring material	stamped steel
Magnet material	Ferrite
Voice coil diameter	35.5 mm
Voice coil former	Aluminium
Voice coil length	16 mm
Voice coil layer	2 mm
Wire material	Copper SVW
Outside diameter	175.6 mm (6.5" speaker)
Build in hole diameter	160 mm
Build in depth	80.6 mm
SPL (1W/1M)	87.7 dB

Mechanical drawing



Thiele and Small parameters

	Value	Symbol
fs	38.74	Hz
VAS	20.27	l
QMS	1.565	–
QES	0.311	–
QTS	0.259	–
Re	5.6	Ω
Sd	130	cm ²
Cms	0.862	mm/N
Mms	19.58	g
LE	0.99	VC/mH
BL	9.263	(NA) (F/l)
Xmax	5.25	mm
D	128	mm
Free air resonance	40 ± 10	Hz